

ILLUSTRATED PARTS LIST

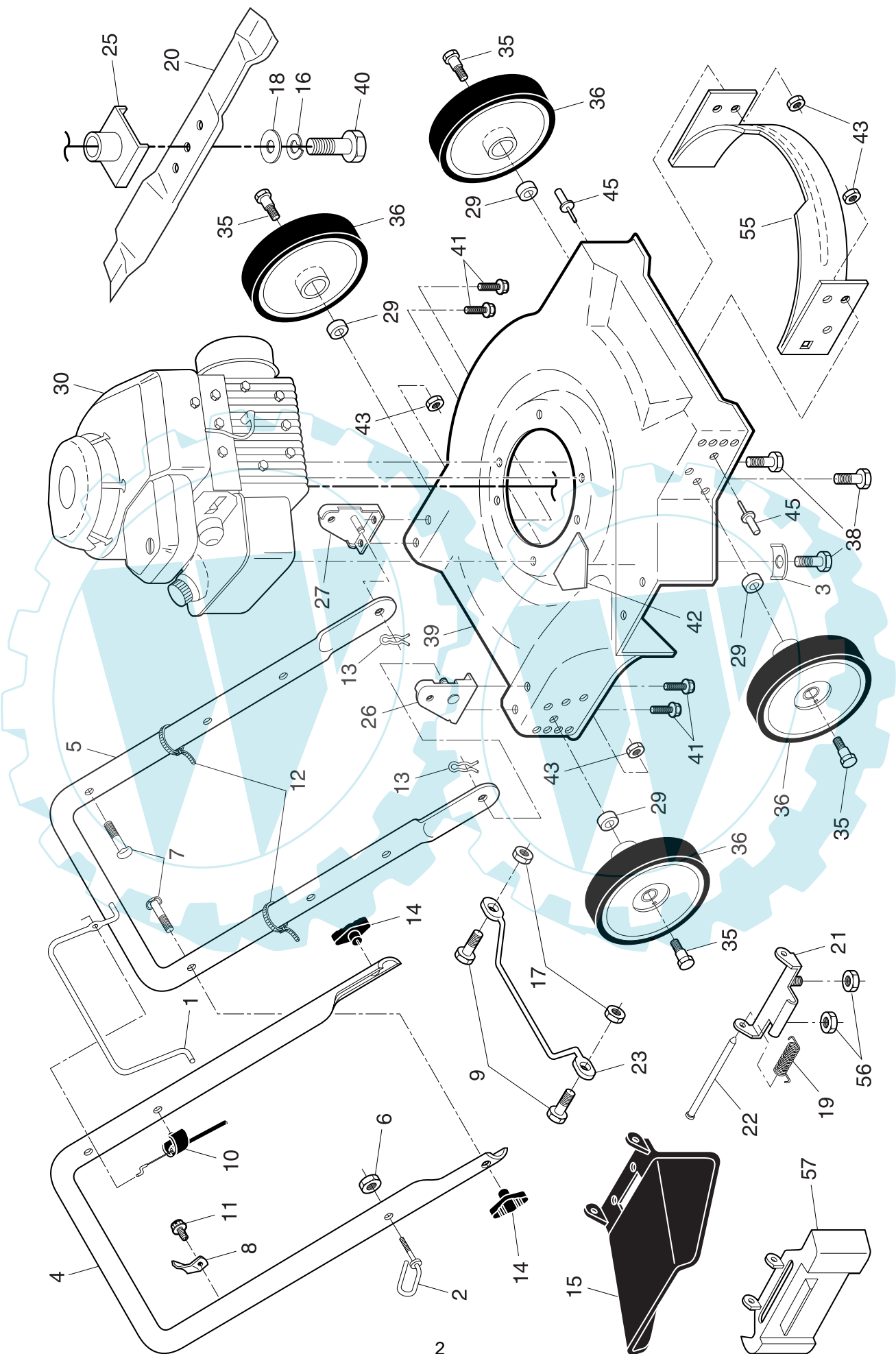
CUSTOMER MODEL NUMBER 3550SM

PRODUCT NUMBER 961 11 00-10

MFG. ID. NUMBER 96111001001



ROTARY LAWN MOWER -- CUSTOMER MODEL NO. 3550SM (96111001001) PRODUCT NO. 961 11 00-10



ROTARY LAWN MOWER - - CUSTOMER MODEL NO. 3550SM (96111001001) PRODUCT NO. 961 11 00-10

KEY NO.	PART NO.	DESCRIPTION	KEY NO.	PART NO.	DESCRIPTION
1	532 19 72-03	Control Bar	22	532 15 02-15	Hinge Rod
2	532 17 95-85	Rope Guide	23	532 15 41-47	Foot Guard
3	532 12 50-78	Washer, Engine	25	532 85 09-77	Blade Adapter
4	532 19 60-26	Upper Handle	26	532 17 09-75	Handle Bracket, RH
5	532 15 50-44	Lower Handle	27	532 17 09-77	Handle Bracket, LH
6	532 13 20-04	Locknut, Hex 1/4-20	29	532 13 66-24	Spacer
7	532 19 15-74	Bolt 1/4-20	30	---	Engine, Briggs & Stratton, Model Number 9D902 (Order parts from engine manufacturer)
8	532 12 52-03	Up-Stop Bracket			
9	532 08 58-25	Screw	35	532 06 76-09	Shoulder Bolt
10	532 16 27-78	Engine Zone Control Cable	36	532 19 79-85	Wheel & Tire Assembly 7 x 1-1/2
11	532 75 06-34	Screw, Self-Tapping, Hex Washer Head #10-24 x 1/2	38	532 15 04-06	Screw, Hex Head, Threaded, Rolled 3/8-16 x 1
12	532 06 64-26	Wire Tie	39	532 19 53-08	Kit, Lawn Mower Housing
13	532 05 17-93	Hairpin Cotter	40	532 85 10-84	Screw, Machine, Hex Head 3/8-24 x 1-3/8 Grade 8
14	532 19 19-38	Hex Head Bolt 1/4-20 x 1-1/2	41	532 14 97-41	Screw
15	532 75 20-52	Discharge Guard	42	532 18 21-66	Danger Decal
16	532 85 02-63	Helical Lock Washer	43	532 75 15-92	Locknut, Hex 5/8-16
17	532 06 91-80	Nut, Hex	45	532 12 84-15	Pop Rivet
18	532 85 10-74	Washer, Hardened	55	532 14 15-19	Front Baffle
19	532 17 52-85	Spring, Hinge	56	873 80 04-00	Nut, Hex
20	532 14 51-06	Blade, 20"	57	532 19 33-60	Mulcher Plug
21	532 08 86-02	Hinge Bracket	--	532 14 15-20	Rear Baffle (Not Shown)
			--	532 19 73-49	Operator's Manual, European
			--	532 19 73-50	Operator's Manual, Scandinavian

NOTE: All component dimensions given in U.S. inches. 1 inch = 25.4 mm. **IMPORTANT:** Use only Original Equipment Manufacturer (O.E.M.) replacement parts. Failure to do so could be hazardous, damage your lawn mower and void your warranty.